

Data for the Calculation of the Molecular Masses of Glycopeptides, Glycoproteins and Oligosaccharides for use in Mass Spectrometry

**VG BIOTECH
VG ANALYTICAL**

Glycopeptides and glycoproteins

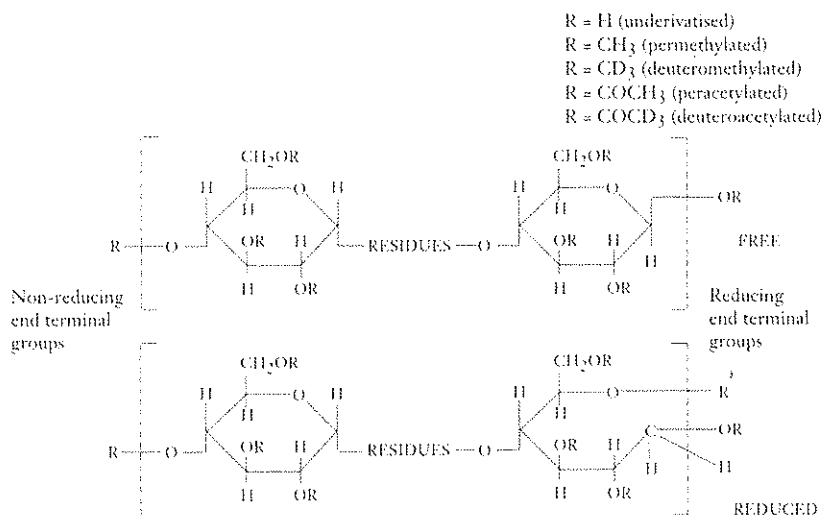
The molecular mass of a glycopeptide or glycoprotein may be calculated by adding the sum of the appropriate monosaccharide residue masses from Table I overleaf, directly to the molecular mass of the peptide or protein.

Oligosaccharides

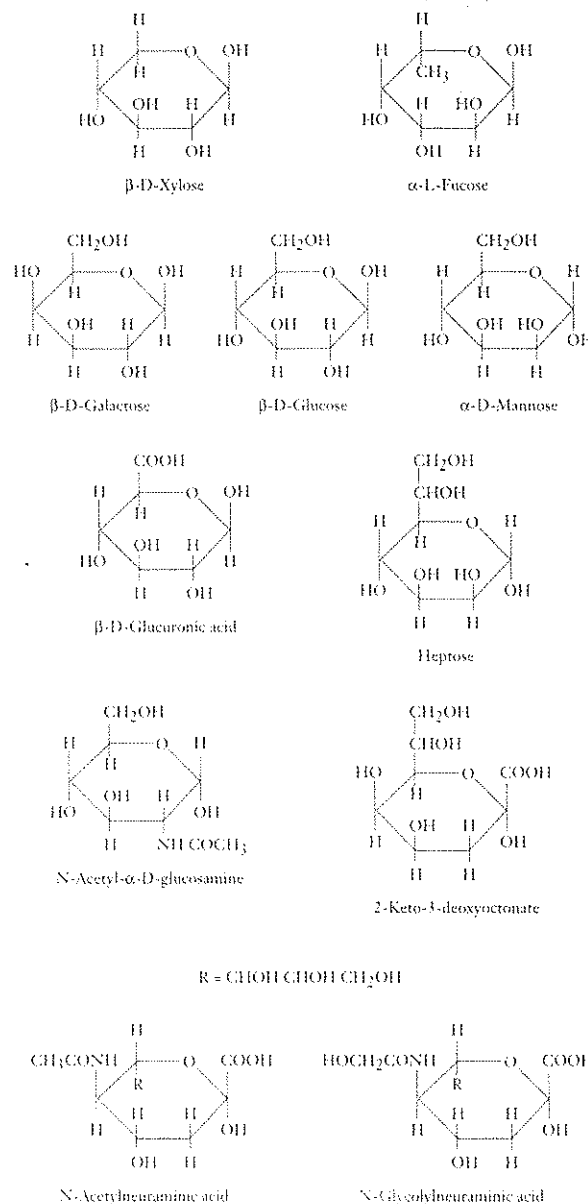
The molecular mass of an unmodified oligosaccharide may be calculated by summing the residue masses of the appropriate monosaccharides or derivatised monosaccharides from Table I overleaf, and adding a mass for the appropriate terminal groups given in Table II. In the case of a cyclic oligosaccharide, the terminal group masses are omitted. The residue mass of an underivatised monosaccharide is defined as the molecular mass minus H_2O .

The mass of an oligosaccharide modified by substituent groups is derived by adding an appropriate mass for each modifying group from Table III, to the mass of the unmodified oligosaccharide obtained above. Table III gives the mass change per modifying group.

Schematic representation of an oligosaccharide showing the two arrangements of the reducing end



Some Monosaccharides



UK. Fisons Instruments Organic Sales, Grove Road, Wythenshawe, Manchester M23 9BE. Tel: (061) 946 0565, Fax: (061) 998 9882.

USA. Fisons Instruments Inc., 32 Commerce Center, Cherry Hill Drive, Danvers, Massachusetts MA01923. Tel: (508) 524 1000, Fax: (508) 777 0578.

CANADA. Fisons Instruments, 115 Place Frontenac, Pointe-Claire, Quebec H9R 4Z7. Tel: (514) 695 6257, Fax: (514) 695 8077.

GERMANY. Fisons Instruments Vertriebs GmbH, Peter Sander Strasse 43, D-6503 Mainz-Kastel. Tel: 613 42890, Fax: 613 4289900.

FRANCE. Fisons Instruments SA, 85 Avenue Austrie, Brand, 94117 Arcueil. Tel: (1) 47 40 48 40, Fax: (1) 45 46 22 50.

ITALY. Fisons Instruments Spa, Strada Rivoltana, 20090 Rodano, Milano. Tel: (02) 950591, Fax: (02) 95059256.

NETHERLANDS. Fisons Instruments BV, P.O. Box 171, 1380 AD Weesp. Tel: (2940) 80484, Fax: (2940) 19052.

BELGIUM. Fisons Instruments NV, Keizerpark, Excelsior Laan, 23, 1930 Zaventem. Tel: (2) 725 2410, Fax: (2) 725 2133.

SPAIN. Fisons Instruments SA, Avda de la Industria 5, 28100 Alcobendas, Madrid. Tel: (1) 661 0642, Fax: (1) 661 5380.

NORWIC. Fisons Instruments Nordic AB, Dalvagen 14, PO Box 1176, 17123 Slnia, Sweden. Tel: (8) 7300295, Fax: (8) 7304242.

AUSTRALIA. Fisons Instruments, PO Box 354, Unit 4, 149 Arthur Street, Homebush, Sydney, NSW 2140. Tel: (02) 746 1155, Fax: (02) 764 1425.

CHINA. VG Instruments, Apartment 1007/1008 Beijing Yanshan Hotel, Beijing 100086. Tel: (1) 42666 1321, Fax: (3) 42665 6517.

JAPAN. Jasco International Co. Ltd, 2-4-21 Senna-cho, Hachioji City Tokyo 193. Tel: (3) 256 4309, Telex: 211203.

KOREA. Shinhan Scientific Co. Ltd, 98-5 Woon-Dong, Chongro-Ku, Seoul, Korea. Tel: 01082 2 741 2431, Fax: 01082 2 741 2454.

SINGAPORE. Fisons Instruments (S.E.A.) Pte. Ltd, Tacam House, 04-00, 73 Hollywood Ave, Singapore 2266. Tel: (65) 7608288, Fax: (65) 7628288.

**FISONS
Instruments**