

INSTRUCTIONS

SZ-STS/SZ-STB1 **SZ-STP/SZ-STB2**

**ARMS USED WITH STEREO ZOOM
MICROSCOPES FOR EQUIPMENT MOUNTING**

WARNING

This instruction manual contains instructions for Olympus arms used with the SZ stereo zoom microscopes. In order to obtain the optimum performance from the unit, it is recommended that this manual be read thoroughly before operation.

OLYMPUS



AX5638

1 STANDARD CONFIGURATIONS

SZ-ST5		SZ-STB1		SZ-STB2		SZ-STP	
Component	Quantity	Component	Quantity	Component	Quantity	Component	Quantity
SZH Arm	1	Bonder Arm	1	Bonder Arm	1	Prober Arm	1
		Hexagon Wrench 3	1	Hexagon Wrench 2	1	Hexagon Wrench 2	1

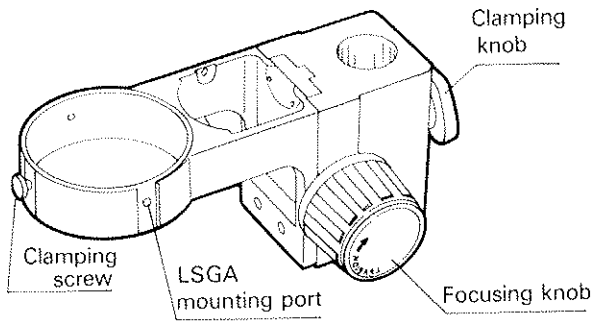
2 SPECIFICATIONS

Model	Item	Description	
		SZ-ST5	SZ-STB1
Microscope Body Mount		Fit-in (mounting port: $\phi 76 \begin{smallmatrix} +0.2 \\ 0 \end{smallmatrix}$ mm); mounting	
Focus Unit		Rack-and-pinion vertical drive on ball-bearing guides; focusing range: 50 mm; with focusing knob rotation tension adjustment	
Illuminator (LSGA) Mount		Mountable through use of the LSGA Mounting Holder (IHA, IHD)	
Mounting to Equipment		Fit-in (mounting port: $\phi 32H8 \begin{smallmatrix} +0.039 \\ 0 \end{smallmatrix}$ mm); mounting with the mounting knob	Mounting (mounting shaft: $\phi 15.8 f8 \begin{smallmatrix} -0.016 \\ -0.043 \end{smallmatrix}$ mm); the mounting angle of the microscope body is adjustable
Weight		Approx. 1,100g (2.43 lb)	Approx. 900g (1.98 lb)

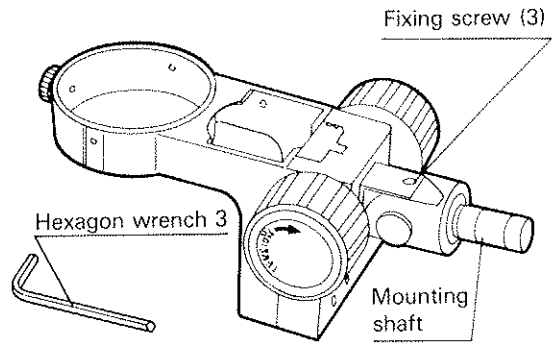
Model	Item	Description	
		SZ-STB2	SZ-STP
Microscope Body Mount		Fit-in (mounting port: $\phi 76^{+0.2}_0$ mm); clamping with 3 fixing screws (using the hexagon wrench provided)	
Focus Unit		Rack-and-pinion vertical movement on ball-bearing guides; focusing range: 45 mm; with focusing knob rotation tension adjustment	
Mounting to equipment		Fit-in (mounting port: $\phi 24.5^{+0.06}_{+0.01}$ mm); mounting with the clamping knob	Mounting with three hexagon bolts (4X10)
Weight		Approx. 800g (1.76 lb)	Approx. 500g (1.10 lb)

3 NOMENCLATURE

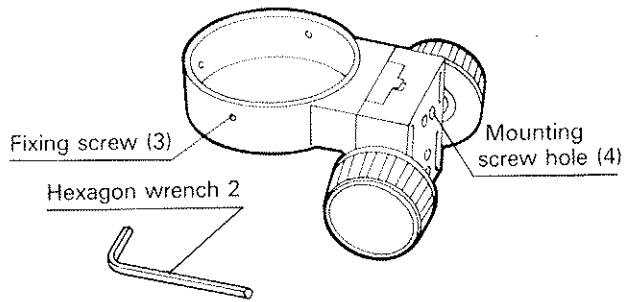
SZ-ST5



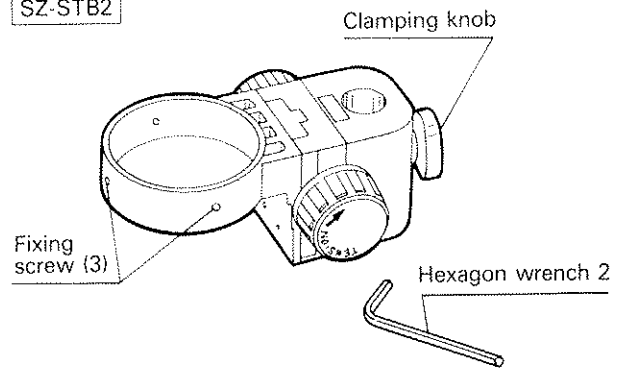
SZ-STB1



SZ-STP



SZ-STB2



4

OPERATION

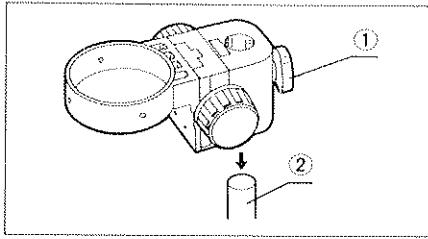


Fig. 1

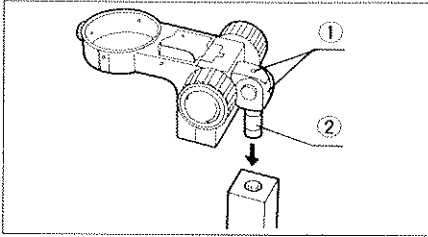


Fig. 2

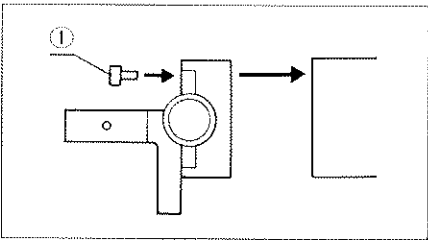


Fig. 3

1 Mounting to Equipment

SZ-ST5/SZ-STB2

(1) Loosen the clamping knob ① and insert the arm onto the pole ② of the equipment. Firmly tighten the clamping knob ①. (Fig. 1)

- ★ When installing the arm on the stand for SZH, remove the drop-prevention collar from the stand.
- ★ Do not tighten the clamping knob ① excessively before the arm has been mounted onto the pole.

SZ-STB1

(1) Loosen the clamping screw on the equipment, to which the arm has been attached, and insert the mounting shaft ② into the hole on the equipment.

(2) Although it is possible to insert the mounting shaft ② either from above or below, make sure that it is inserted from above when mounting heavy devices such as photomicrographic equipment. (Fig. 2)

(3) To adjust the optical axis angle, loosen the fixing screw ① with the hexagon wrench provided. After adjustment, tighten the clamping screw ② ① firmly. (Fig. 2)

SZ-STP

(1) Securely attach the arm to the equipment using the three hexagon bolts ① (Fig. 3).

- ★ Take care that the optical axis of the microscope body and the specimen surface are not inclined during mounting.

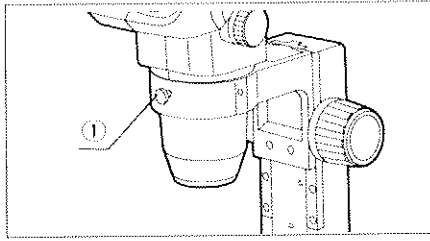


Fig. 4

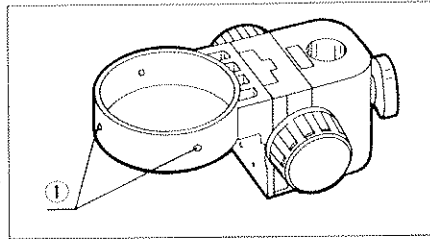


Fig. 5

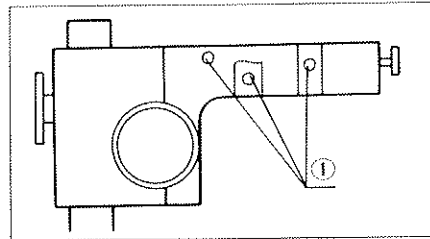


Fig. 6

2 Mounting the Microscope Body

SZ-ST5/SZ-STB1

- (1) Loosen the clamping screw ① and insert the microscope body. The clamping screw ① can be positioned at any of the three holes on the circumference of the arm. It should be attached so that it does not interfere with the illuminator. (Fig. 4)
- (2) Securely tighten the clamping screw ①.

SZ-STP/SZ-STB2

- (1) Loosen the three fixing screws ① on the circumference of the arm with the Allen wrench provided and insert the microscope body. (Fig. 5)
- (2) Tighten the three fixing screws securely.
 - ★ When mounting SD/SF series frame to SF-STP and SZ-STB2 arms, the Fluorescent Ring Illuminator (SZ-FLR) cannot be used with these frames.

3 Mounting the Illuminator (LSGA) (SZ-ST5/SZ-STB1 only)

- (1) The illuminator (LSGA) can be mounted at any of the five mounting ports on the circumference of the arm, using the LSGA mounting holder IHA or IHD. (Fig. 6)
For further details, refer to the LSGA instruction manual.
 - ★ The LSGA cannot be mounted to the SZ-STB2 or the SZ-STP.

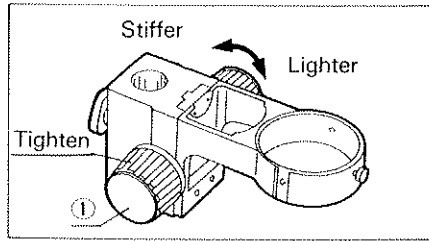


Fig. 7

4 Focusing Knob Rotation Tension Adjustment

- (1) Holding the focusing knobs ①, one in each hand, turn one knob while keeping the other knob tightened. The direction in which the knob is turned determines whether the rotation tension increases or decreases. (Fig. 7)
- (2) This adjustment should prevent the microscope body from falling down accidentally. The knob tension should be set to a level slightly stiffer than that required to prevent unintentional movement (drifting), in order to facilitate easy operation.

OLYMPUS

OLYMPUS OPTICAL CO., LTD.

43-2, Hatagaya 2-chome, Shibuya-ku, Tokyo Japan

OLYMPUS OPTICAL CO. (EUROPA) GMBH

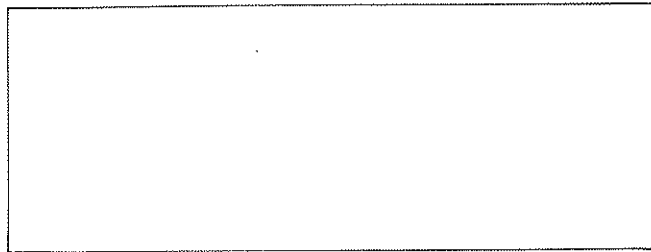
(Premises/Goods delivery) Wendenstrasse 14-16, D-20097 Hamburg, Germany
(Letters) Postfach 10 49 08, 20034 Hamburg, Germany

OLYMPUS AMERICA INC.

2 Corporate Center Drive, Melville, N.Y. 11747-3157, U.S.A.

OLYMPUS OPTICAL CO. (U.K.) LTD.

2-8 Honduras Street, London EC1Y 0TX, United Kingdom



This publication is printed on recycled paper.

Printed in Japan 9805 M 250-①