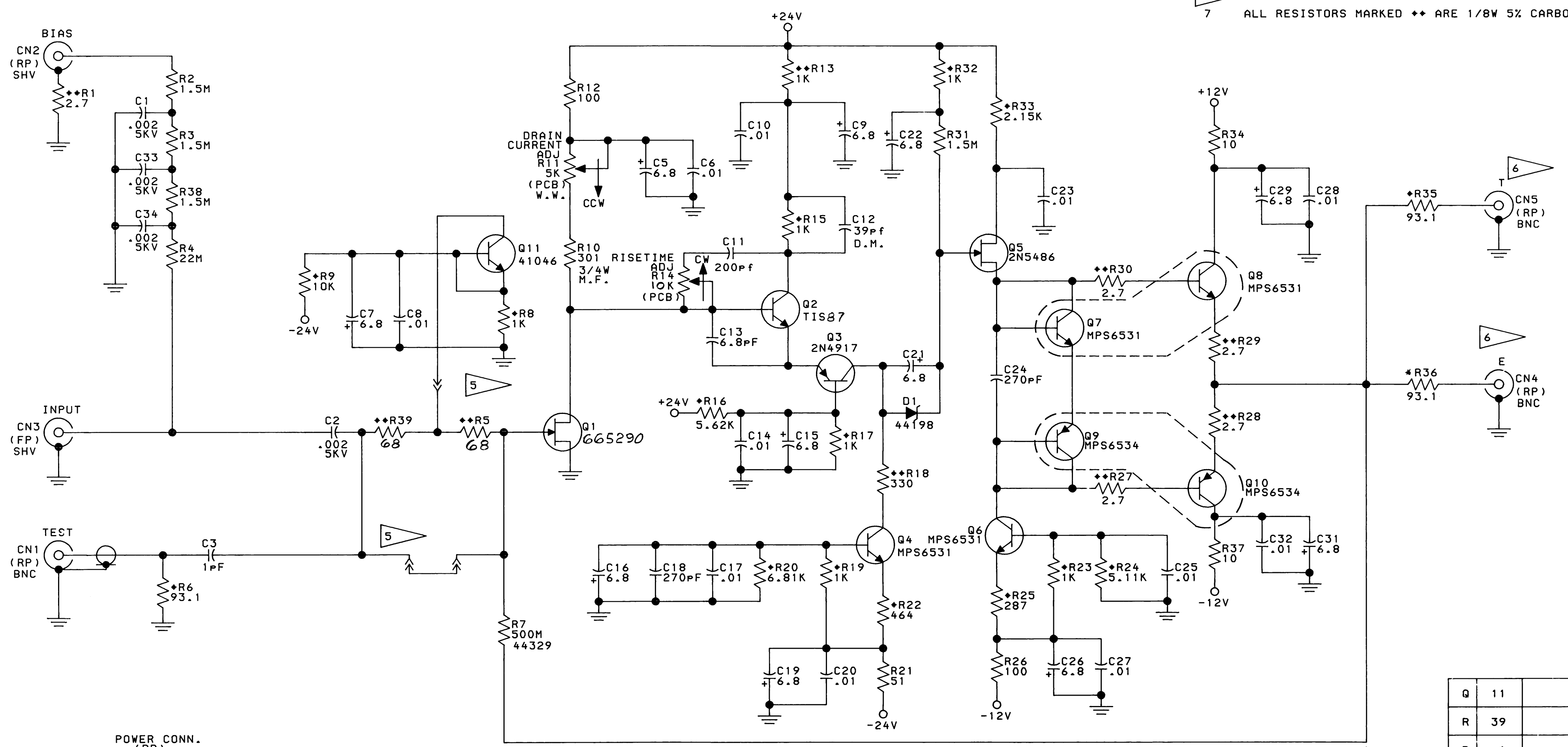


- NOTES UNLESS OTHERWISE SPECIFIED
- 1 ALL RESISTOR VALUES IN OHMS
 - 2 ALL CAPACITOR VALUES IN MICRO FARADS
 - 3 ALL RESISTORS 1/4W 5% CARBON
 - 4 ALL RESISTORS MARKED + ARE 1/8W 1% M.F. T2
 - 5 CUSTOMER OPTION TO REMOVE PROTECTIVE CIRCUIT. UNIT SHIPPED WITH PROTECTIVE CIRCUIT INSTALLED.
 - 6 "E" DESIGNATES ENERGY. "T" DESIGNATES TIME.
 - 7 ALL RESISTORS MARKED ++ ARE 1/8W 5% CARBON



POWER CONN. (RP)

- 7 RED → +24V
- 6 CLEAR → -24V
- 4 BLACK → +12V
- 9 GREEN → -12V
- 1 SHIELD → GND
- 2

Q	11	
R	39	
D	1	
C	34	4
REF DES	LAST# USED	NOT USED

DWG NO. WAS 142PC-0201-51

REV. NO. DATE BY A 142PC-10 4/11/77 HJH B 142PC-8 4/18/77 HJH	UNLESS OTHERWISE SPECIFIED DIMENSIONS IN INCHES			PerkinElmer instruments 801 S. ILLINOIS AVE. OAK RIDGE, TN 37831 www.perkinelmer.com
	TOLERANCES FRACTIONS DECIMALS ANGLES FINISH $\pm 1/64$ $xx \pm .01$ $\pm 0^{\circ}30'$ \sqrt{RMS} $xxx \pm .005$			
MODEL 142PC DIAG. SCHEM. PREAMPLIFIER			DRAFTSMAN DATE RESPONSIBLE ENGINEER REFERENCE/USED ON JRH 3/16/77 T. MAYHUGH NO CAD	
MATERIAL STOCK NO. APPLIED PRACTICES SIZE SCALE NONE C NONE			HIG. APPROVAL DATE DRAWING NO. [Signature] 10 OCT 77 729.5	
DWG. ISSUED DATE [Signature] 3-16-78			RELEASED FOR MFG. DATE	