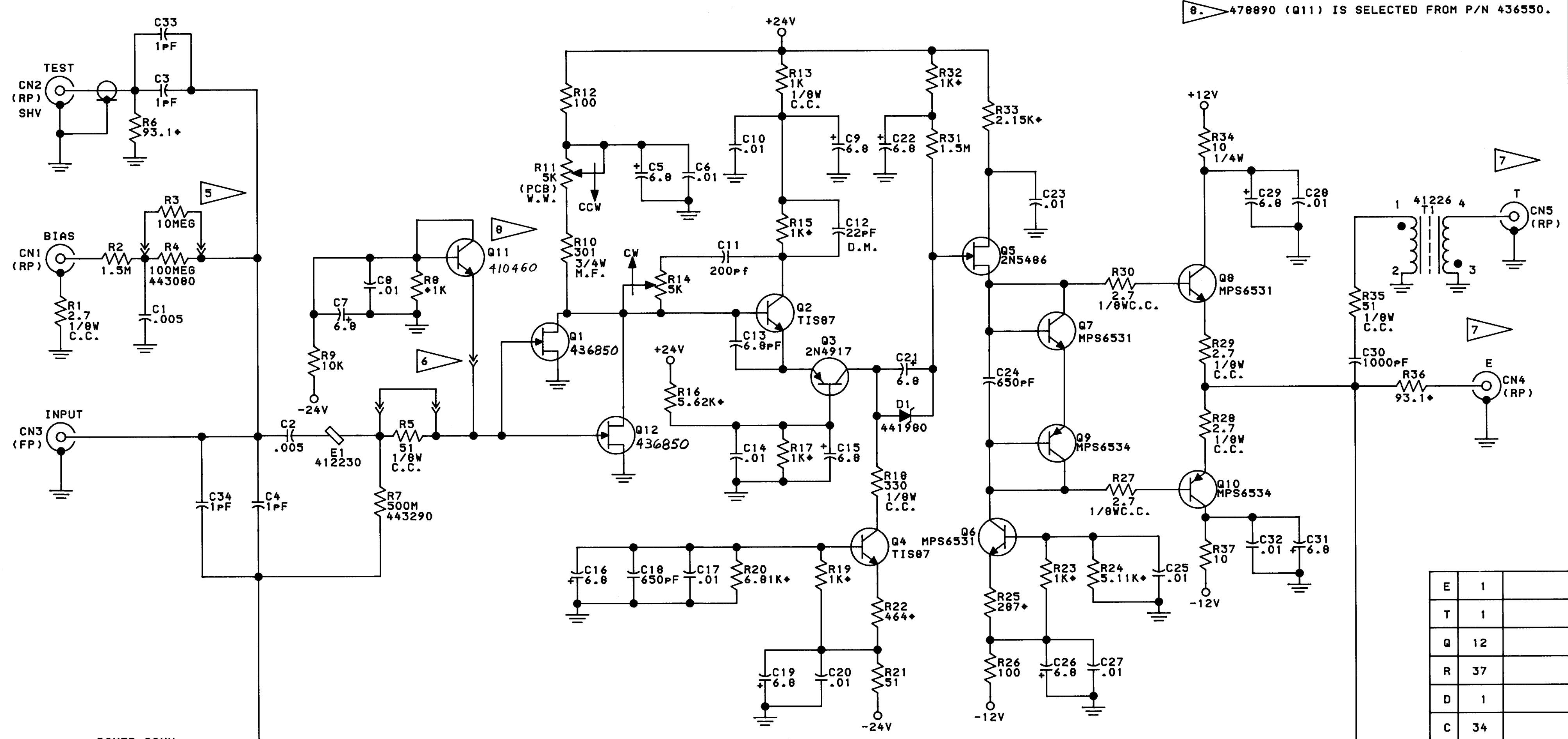
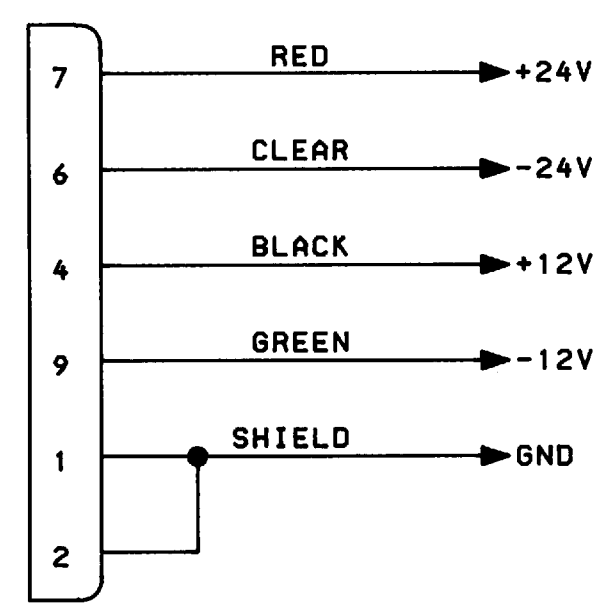


- NOTES UNLESS OTHERWISE SPECIFIED
1. ALL RESISTOR VALUES ARE IN OHMS.
 2. ALL RESISTORS ARE 1/4W, 5% CARBON.
 3. ALL RESISTORS MARKED * ARE 1/8W, 1%MF, T2.
 4. ALL CAPACITOR VALUES ARE IN MICROFARADS.
 5. CUSTOMERS OPTION TO PARALLEL 10 MEG LOAD RESISTOR.
 6. CUSTOMERS OPTION TO REMOVE PROTECTIVE CIRCUIT. UNIT SHIPPED WITH PROTECTIVE CIRCUIT INSTALLED.
 7. T DESIGNATES TIME, E DESIGNATES ENERGY.
 8. 478890 (Q11) IS SELECTED FROM P/N 436550.



POWER CONN.
(R.P.)



REF	LAST#	NOT USED
E	1	
T	1	
Q	12	
R	37	
D	1	
C	34	

QTY REQD	FIND NO.	PART OR IDENTIFYING NUMBER	NOMENCLATURE OR DESCRIPTION	REMARKS
-001			PARTS LIST	

UNLESS OTHERWISE SPECIFIED DIMENSIONS IN INCHES DO NOT SCALE THIS DRAWING			
TOLERANCES ARE			
FRACTIONS	DECIMALS	ANGLES	FINISH
± 1/64	.XX ± .02 .XX ± .01 .XXX ± .005	± 0°30'	✓
MATERIAL			
FINISH			
APPLIED PRACTICES			

		PerkinElmer instruments. 801 S. ILLINOIS AVE. OAK RIDGE, TN 37831 www.perkinelmer.com	
MODEL 142C PREAMPLIFIER SCHEMATIC			
DATE	DATE	DATE	DATE
DESIGNED BY	CHECKED BY	APPROVED BY	DATE
C. BRITTON		142C	
JOB# 84-0063		DRAWING NO.	
DWG ISSUED DATE		SCALE	
5/17/84		NONE	
SHEET 1		OF 1	