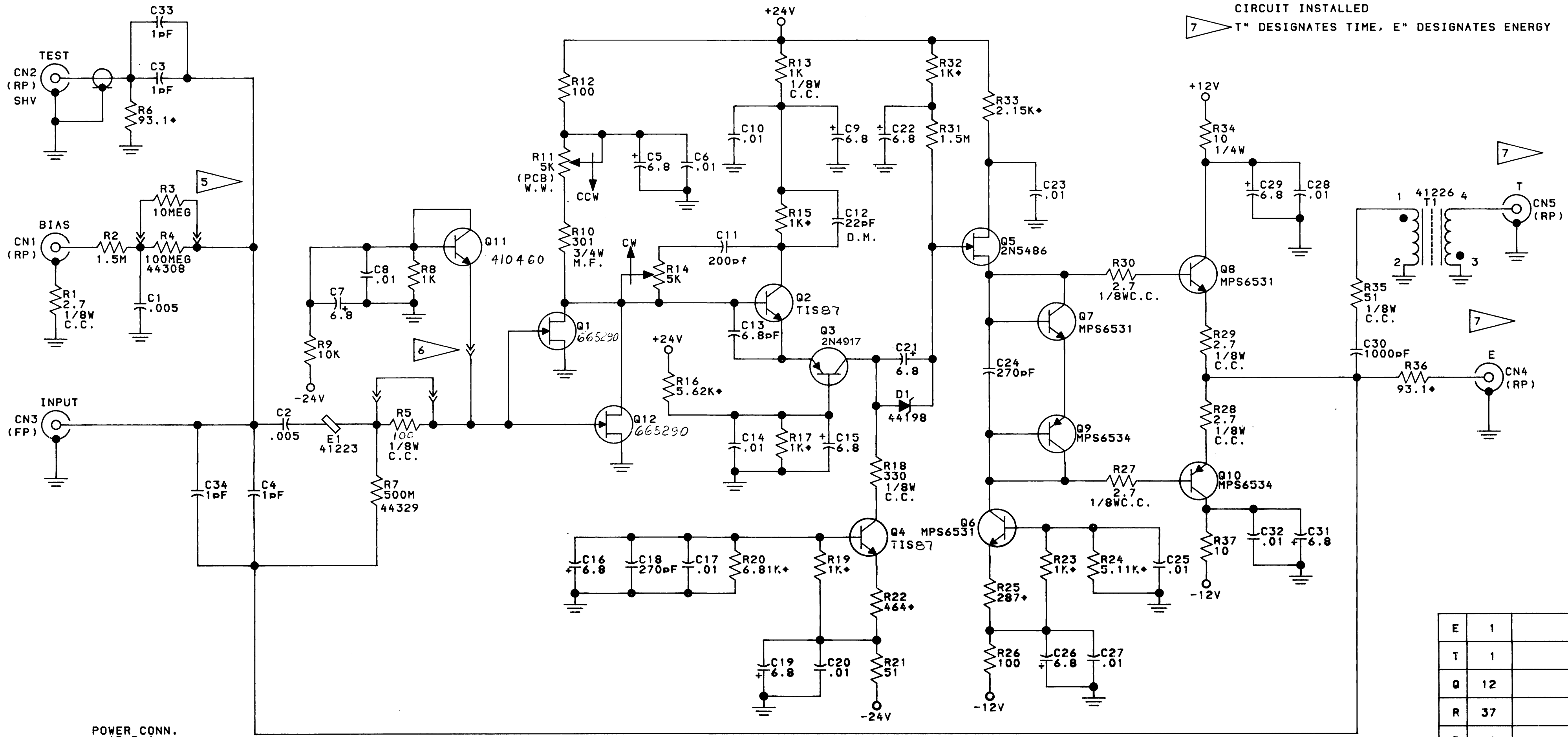


- NOTES UNLESS OTHERWISE SPECIFIED
- 1 ALL RESISTOR VALUES IN OHMS
  - 2 ALL CAPACITOR VALUES IN MICRO FARADS
  - 3 ALL RESISTORS ARE 1/4W 5% CARBON
  - 4 ALL RESISTORS MARKED \* ARE 1/8W 1% M.F.T.2
  - 5 CUSTOMERS OPTION TO PARALLEL 10MEG LOAD RESISTOR
  - 6 CUSTOMERS OPTION TO REMOVE PROTECTIVE CIRCUIT. UNIT SHIPPED WITH PROTECTIVE CIRCUIT INSTALLED
  - 7 T\* DESIGNATES TIME, E\* DESIGNATES ENERGY



POWER CONN. (R.P.)

- 7 RED → +24V
- 6 CLEAR → -24V
- 4 BLACK → +12V
- 9 GREEN → -12V
- 1 SHIELD → GND

E	1	
T	1	
Q	12	
R	37	
D	1	
C	34	
REF DES	LAST USED	NOT USED

DWG WAS 142B-0201-S

3-16-73 9-12-75 WPH 3/9/84 JH 6-17-77 AR 8-7-78 MWR 142B-1 142B-6 142B-17 142B-20 9043 ORT-		UNLESS OTHERWISE SPECIFIED DIMENSIONS IN INCHES TOLERANCES FRACTIONS: ± 1/64 DECIMALS: .XX ± .01, .XXX ± .005 ANGLES: ± 0°30' FINISH: √ RMS MATERIAL: APPLIED PRACTICES: 612C SCALE: NONE DWG. ISSUED: 5-12-76 DATE:		PerkinElmer instruments 801 S. ILLINOIS AVE. OAK RIDGE, TN 37831 www.perkinelmer.com MODEL 142B DIAG. SCHEM. PREAMP DRAFTSMAN: CJB DATE: 2-25-76 CHECKED: DATE: RESPONSIBLE ENGINEER: T. MAYHUGH DATE: REFERENCE/USED ON: 400250 STOCK NO.: DRAWING NO.: 723760	
---------------------------------------------------------------------------------------------------------------------------	--	-------------------------------------------------------------------------------------------------------------------------------------------------------------------------------------------------------------------------------------------------------	--	-----------------------------------------------------------------------------------------------------------------------------------------------------------------------------------------------------------------------------------------------------------------------------------------------------------	--