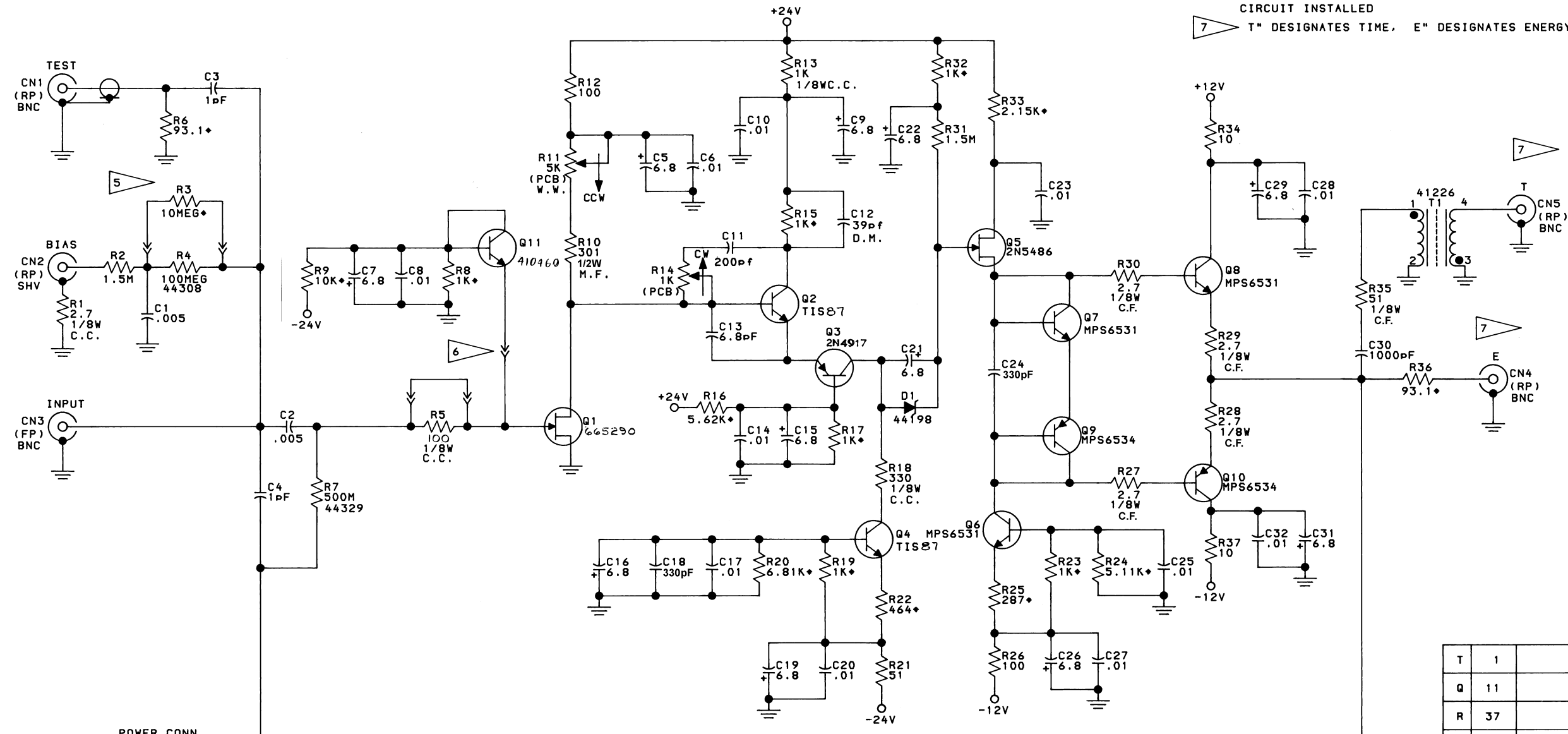


- NOTES UNLESS OTHERWISE SPECIFIED
- 1 ALL RESISTOR VALUES IN OHMS
 - 2 ALL CAPACITOR VALUES IN MICRO FARADS
 - 3 ALL RESISTORS 1/4W 5% CARBON
 - 4 ALL RESISTORS MARKED * ARE 1/8W 1% M.F. T2
 - 5 CUSTOMER OPTION TO PARALLEL SOLDER 10MEG LOAD RESISTOR
 - 6 CUSTOMER OPTION TO REMOVE PROTECTIVE CIRCUIT. UNIT SHIPPED WITH PROTECTIVE CIRCUIT INSTALLED
 - 7 T* DESIGNATES TIME, E* DESIGNATES ENERGY



POWER CONN. (RP)

- 7 RED → +24V
- 6 CLEAR → -24V
- 4 BLACK → +12V
- 9 GREEN → -12V
- 1 SHIELD → GND
- 2

DWG WAS 142A-0201-S1

T	1	
Q	11	
R	37	
D	1	
C	32	
REF DES	LAST USED	NOT USED

UNLESS OTHERWISE SPECIFIED DIMENSIONS IN INCHES TOLERANCES FRACTIONS DECIMALS ANGLES FINISH $\pm 1/64$ $\pm .01$ $\pm 0^{\circ}30'$ $\sqrt{\text{RMS}}$ XXX $\pm .005$		ORTEC 801 SOUTH ILLINOIS AVE. OAK RIDGE, TN 37831 WWW.ORTEC-ONLINE.COM		PRINTS TO FILE NO. 4
MODEL 142A DING SCHEM, PREAMP		TITLE		
DRAFTSMAN DATE RESPONSIBLE ENGINEER CJB 2/25/76 T. MAYHUGH		REFERENCE/USED ON 400170		
CHECKED DATE NONE		SCALE NONE		
APPLIED PRACTICES C		DATE 5-12-76		
REVISIONS F ORT-C1768 04/02 RDA E O.R.T. - 0242 02-16-75 LKH D 142A-35 9-12-85 LKH C 142A-29 3/9/84 LKH B 142A-4 6-17-77 LKH A 142A-1 8-7-76 LKH		DRAWING NO. 723770		